

DESCRIPTION

AMC MODEL SW-2181-2AT OPTION: B1072, 900M105 IS AN ABSORPTIVE SINGLE POLE TWO THROW SWITCH MODULE WITH INTEGRAL DRIVER, DESIGNED TO OPERATE BETWEEN THE 900 MHz TO 1.5 GHz FREQUENCY RANGE WITH A SINGLE POSITIVE POWER SUPPLY.

SPECIFICATIONS

- FREQUENCY RANGE: 0.9 TO 1.5 GHz
- INSERTION LOSS: 1.3 dB MAXIMUM
- ISOLATION: 70 dB MINIMUM
- VSWR: 1.5:1
- RISE TIME: 500 nSec MAXIMUM
- FALL TIME: 500 nSec MAXIMUM
- DELAY ON: 1 uSec MAXIMUM
- DELAY OFF: 1 uSec MAXIMUM
- POWER INPUT: +20 dBm CW MAXIMUM
- CONTROL: TTL COMPATIBLE, UNITY LOAD
2 INDIVIDUAL CONTROLS
TTL LOGIC "0" = INSERTION LOSS
TTL LOGIC "1" = ISOLATION
(SEE LOGIC TABLE)
- POWER SUPPLY: +5V ±5% @ 100 mA MAXIMUM
- CONNECTORS:
RF INPUT/OUTPUT: SMA FEMALE
POWER: SOLDER PIN
CONTROL: SOLDER PIN
- SIZE: 1.63" (L) x 1.25" (W) x 0.50" (H)

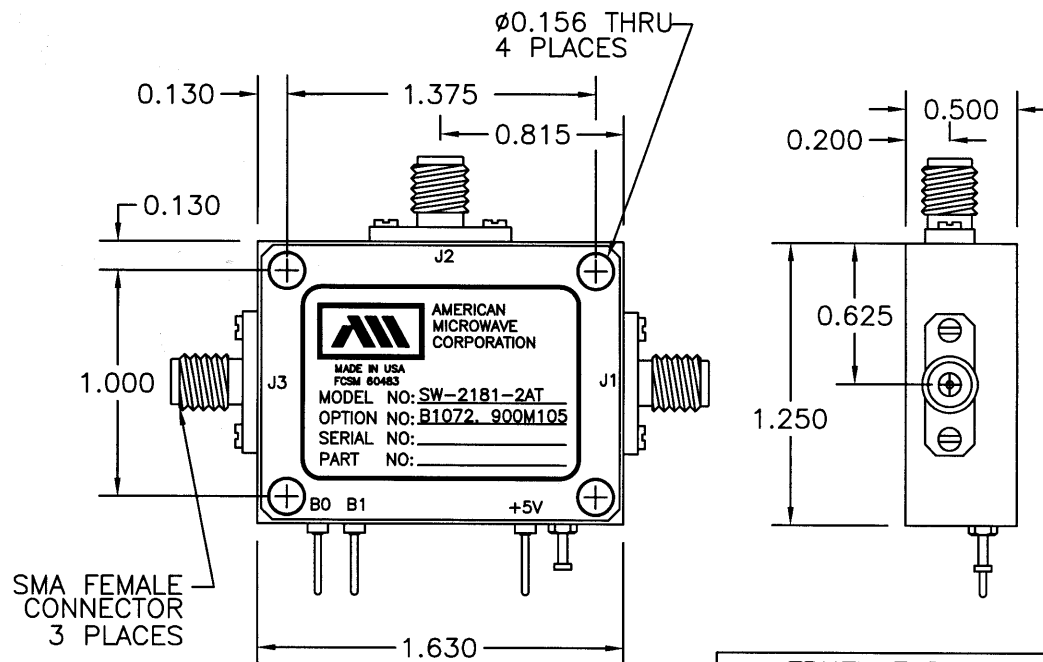
OPTIONS:

- B1072: ISOLATION OF 70 dB MINIMUM
- 900M105: 900 MHz TO 1.5 GHz FREQUENCY RANGE

ENVIRONMENTAL RATINGS:

- TEMPERATURE: -55°C TO +85°C (OPERATING)
..... -65°C TO +125°C (STORAGE)
- HUMIDITY: MIL-STD-202F, METHOD 103B COND. B
- SHOCK: MIL-STD-202F, METHOD 213B COND. B
- VIBRATION: MIL-STD-202F, METHOD 204D COND. B
- ALTITUDE: MIL-STD-202F, METHOD 105C COND. B
- TEMPERATURE CYCLE: MIL-STD-202F, METHOD 107D COND. A

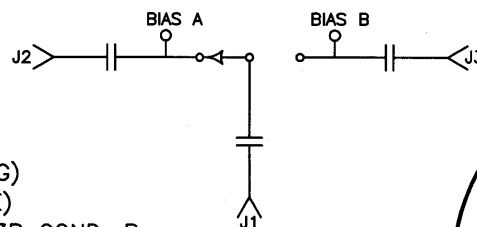
NOTE: SPECIFICATIONS WILL VARY OVER OPERATING TEMPERATURE
NOTE: THE ABOVE SPECIFICATIONS ARE SUBJECT TO CHANGE OR REVISION



SMA FEMALE
CONNECTOR
3 PLACES

TRUTH TABLE		
B1	B0	RF PATH
0	0	J1-J2
0	1	J1-J2
1	0	J1-J3
1	1	ALL ISOLATED

BLOCK DIAGRAM



AMERICAN MICROWAVE CORPORATION

7311-G GROVE ROAD
FREDERICK, MARYLAND 21704 USA
TEL: 301-662-4700 FAX: 301-662-4938
WEBSITE: www.americanmicrowavecorp.com
E-MAIL: sales@americanmicrowavecorp.com
ISO 9001:2000 CERTIFIED



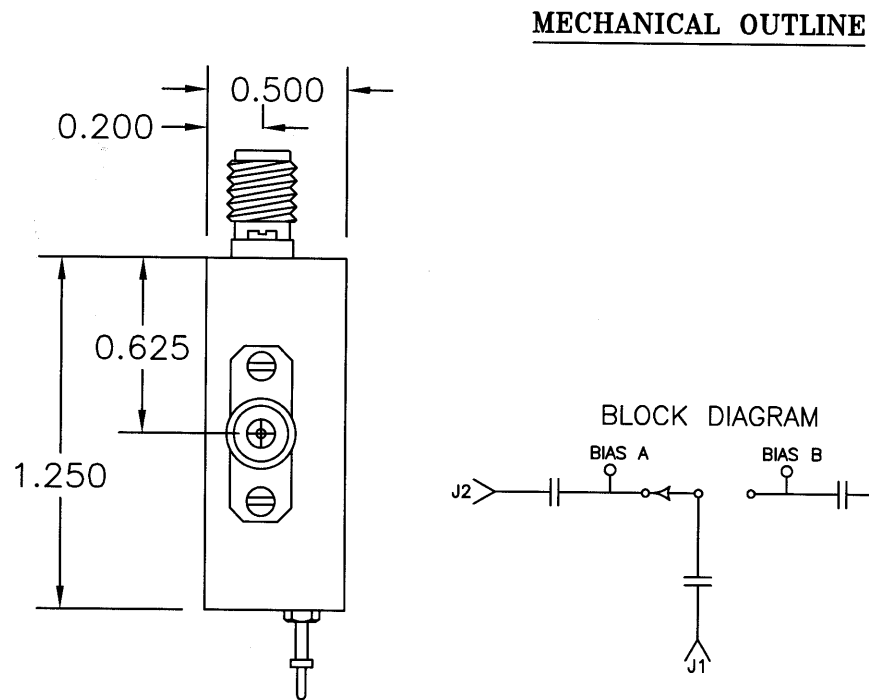
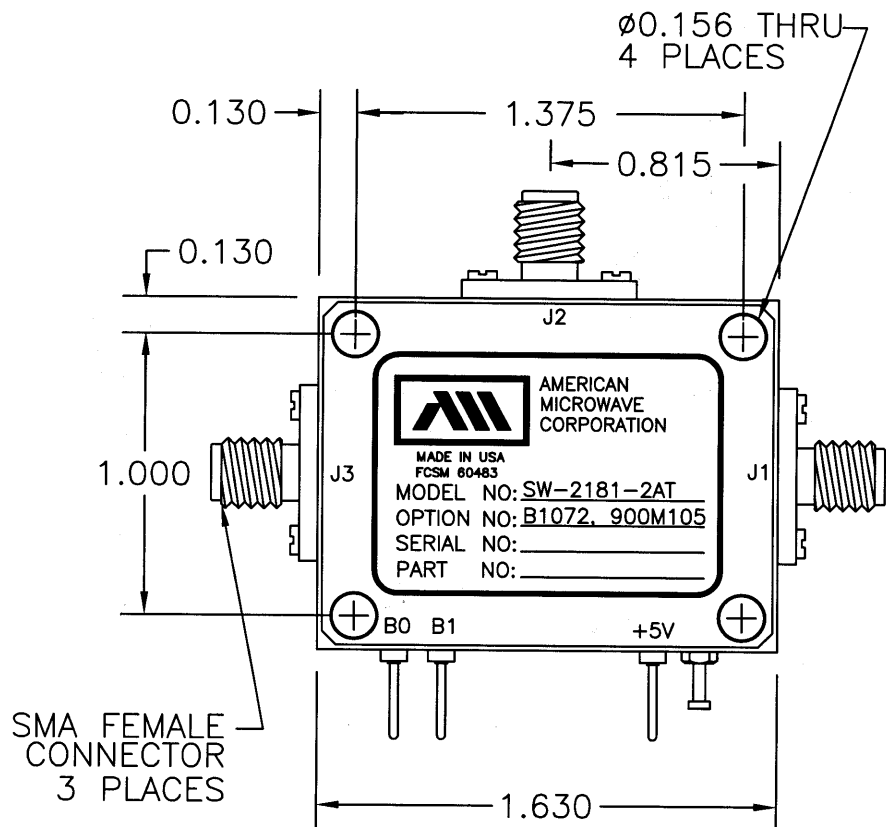
APPROVALS		DATE	TITLE			
DRAWN <i>JDJ</i>		9/30/05	PRODUCT FEATURE SW-2181-2AT OPTION: B1072, 900M105 0.9 - 1.5 GHz, SINGLE POLE TWO THROW SWITCH			
CHECKED			SIZE	FSCM NO.	DWG NO.	REV.
ISSUED			A	60483	100-7395	-
SCALE N:S					SHEET 1 OF 3	

ALL DIMENSIONS ARE IN INCHES
TOLERANCES:
X.XX ±0.020
X.XXX ±0.010

DESCRIPTION

AMC MODEL SW-2181-2AT OPTION: B1072, 900M105 IS AN ABSORPTIVE SINGLE POLE TWO THROW SWITCH MODULE WITH INTEGRAL DRIVER, DESIGNED TO OPERATE BETWEEN THE 900 MHz TO 1.5 GHz FREQUENCY RANGE WITH A SINGLE POSITIVE POWER SUPPLY.

REVISIONS				
ZONE	REV.	DESCRIPTION	DATE	APPROVED
-	-	ORIGINAL RELEASE JOB# 503083-1	9/30/05	



B1	B0	RF PATH
0	0	J1-J2
0	1	J1-J2
1	0	J1-J3
1	1	ALL ISOLATED

ALL DIMENSIONS ARE IN INCHES
TOLERANCES:
X.XX ±0.020
X.XXX ±0.010

AMERICAN MICROWAVE CORPORATION

7311-G GROVE ROAD
FREDERICK, MARYLAND 21704 USA
TEL: 301-662-4700 FAX: 301-662-4938
WEBSITE: www.americanmicrowavecorp.com
E-MAIL: sales@americanmicrowavecorp.com
ISO 9001:2000 CERTIFIED



APPROVALS		DATE	TITLE			
DRAWN <i>JDJ</i>		9/30/05	MECHANICAL OUTLINE SW-2181-2AT OPTION: B1072, 900M105 0.9 - 1.5 GHz, SINGLE POLE TWO THROW SWITCH			
CHECKED			SIZE	FCSM NO.	DWG NO.	REV.
ISSUED			A	60483	100-7395	-
			SCALE	N:S		SHEET 2 OF 3